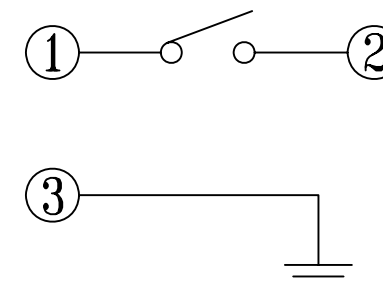
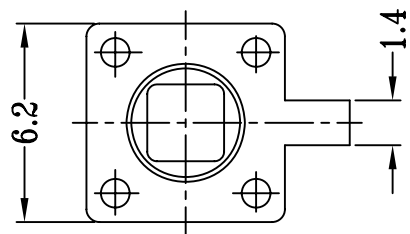
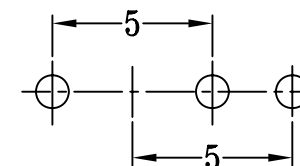
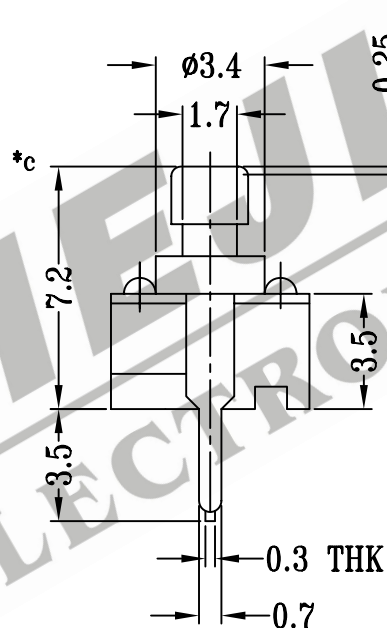
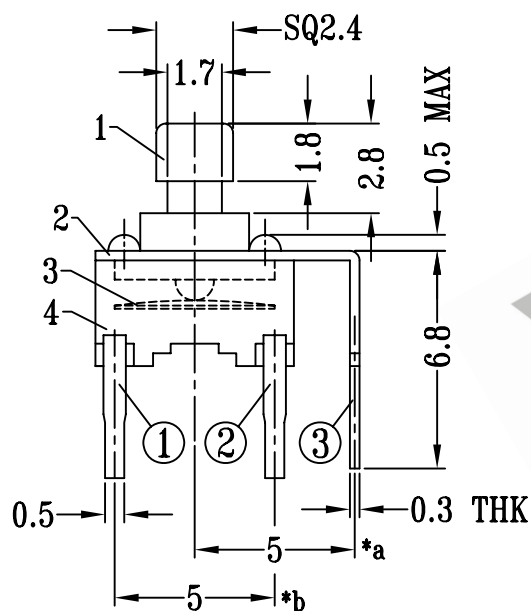


CAD FILE:



SCHEMATIC



P.C.B LAYOUT

OPERATING FORCE	CODE
100gf	T
130gf	V
160gf	X
170gf	W
190gf	Y
250gf	Z

注:带"*"表示关键尺寸(4个)

NO.	PART NAME	MATERIAL	Q'TY	FINISHING	TOLERANCE UNLESS SPECIFIED	SHENZHEN XIEJIA ELECTRONICS CO.,LTD.				
8					WITHIN: 1.5±0.1mm OVER : 1.5±0.2mm	ISSUE	DATE	DESCRIPTIONS		APPD.
7										
6										
5										
4	CASE	NYLON+F.G/BRASS STRIP	1	BLACK/Ag PLATED	TITLE : TACT SWITCH MODEL: TC-2324A ALL MATERIALS MUST BE COMPLIANT TO ROHS	UNIT : MM SCALE: 4 : 1	DRWG NO.: XJ-DR-TC2324A-00			
3	CONTACT	PBS	1	Ag CLAD			DWN.	ZHOUYU	2005-4-5	
2	COVER	ZINC PLATE	1	WASHING			CHK'D	FANGYING	2005-4-5	
1	KNOB	POM	1	BLUE			APPD.	KANGXINAN	2005-4-5	